

WASP-S18

Passive
subwoofer



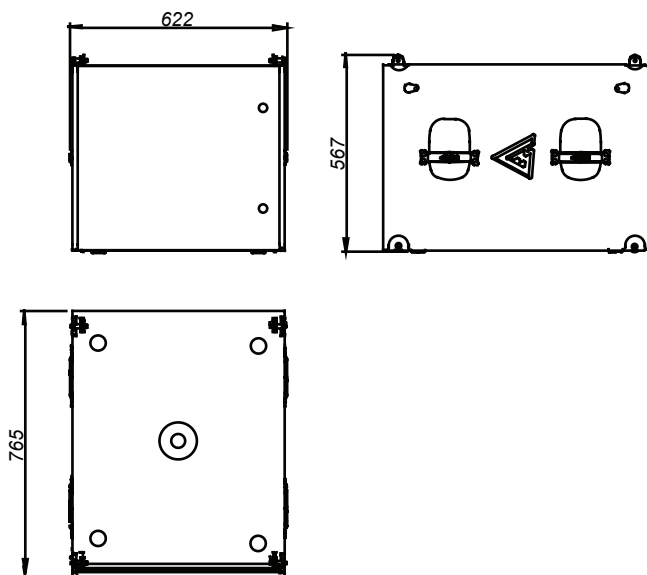
WASP has received the most advanced components to assist with task of creating the ultimate compact line-array solution. Thoroughly designed cabinets, most advanced proprietary mounting system, and wide selection of mounting and connectivity accessories was called in to provide the fast mounting\dismounting times, as well as ease of transportation and storage.

Complete amplification solution is available for WASP as well. Ready-to-go touring racks are fitted with signal and power distribution, and are based on state-of-the-art touring amplifiers from Powersoft®. WASP system's usability is further extended with available presets as well as GLL files for fast system performance prediction.

Purpose-made WASP-S18 has been designed to be a reliable low-frequency support for WASP line array. Based on 18" LF woofer, the system delivers 141 dB of sound pressure. Featuring specifically designed integrated hardware, WASP-S18 can be used both in a stack or in a flown cluster.



DIMENSIONS



SPECIFICATIONS

Frequency range (-10dB)	32 - 300 Hz
Max SPL ¹	141 dB
Sensitivity (1W/1m)	98 dB
LF Driver	18", 4" VC
Impedance	8 Ohm
Nominal power ²	1300 W
Connectors	4x Neutrik Speakon
Dimensions (WxHxD)	622 x 567 x 765 mm
Weight net / shipping	47,8 kg / 50,8 kg
Mounting	M20 distance pole adapter Integrated array hardware
Enclosure material	Plywood, wear-resistant paint
Speaker protection	Steel grill, acoustically transparent backing

¹ - pink noise, filtered according to AES 2 - 2012, crest factor 12 dB
² - based on transducer power measured according to AES 2 - 2012

CONNECTIONS

Use Hi-pass filter to prevent speaker damage and distorted sound by eliminating low non-audible frequencies in input signal.

Do not exceed input power ratings mentioned in specifications while exploiting the speaker system.

Speaker system comes with two Neutrik® Speakon heavy duty sockets for easy connection.

Signal +	1 + rear, 2+ front
Signal -	1 - rear, 2- front
Signal through	2+ 2- rear, 1+ 1- front
HPF freq, no less than	30 Hz
HPF order, no less than	18 dB/oct
Recommended amplifier power	1000 - 2000 W on nominal impedance

SAFETY INSTRUCTIONS

1. Do not pour liquids on speaker system - this may cause driver cone destruction and unappealing speaker appearance. Do not allow direct sunlight on speaker cone in order to prevent premature failure. Do not install speaker system near open flames or heating elements.
2. Do not use speaker system with damaged speakON or speaker cable so as not to cause electric shock hazard or fire hazard.
3. Make sure speaker system is firmly set up on the floor, stage, or wall (where applicable).
4. While setting speaker system up onto an angled or slippery surface, make the necessary arrangements to avoid vibration-induced movement.
5. Speaker system is capable of delivering significant sound pressure levels. To avoid permanent or temporary hearing damage, prolonged exposure to sound pressure levels exceeding 90 dB should be limited.