

LINE ARRAY series



WASP-8

Passive line array module

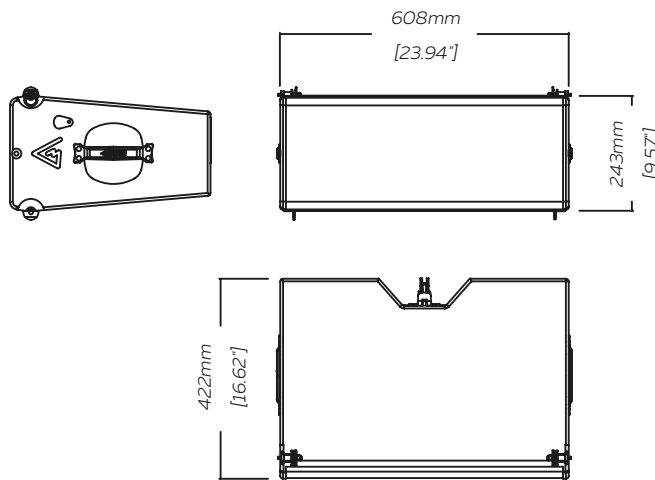
WASP line array is the pinnacle of MAG Audio technology ready for next-generation precisely controlled sound spaces. Scalable philosophy behind WASP allows to use it in small installations as well as in large-scale touring and concerts.

Incorporating tailor-designed neodymium components, WASP is built with extra headroom for pristine clarity and powerful impact. Two 8-inch woofers and precision 1,4-inch driver feature improved voice coil cooling for prolonged operation at immense sound levels. Blending them with proprietary JD-lens coupling allows for precise aiming and beam compression control.

Available in both wide coverage and far throw configurations (easily convertible with interchangeable couplings), WASP line array covers distance up to 100m, previously possible only for much larger systems. Such versatility enables to scale WASP system everywhere from small events, bars and restaurants up to touring, arenas, and open-air concerts.



DIMENSIONS



SPECIFICATIONS

Frequency Response (-10dB)	70 - 20000 Hz
Max SPL ¹	141 dB (single cabinet)
Sensitivity (1W/1m)	98 dB Low / 110 dB High
LF Driver	2x 8", 2,5" VC
HF Driver	1,4", 2,8" VC
Horizontal coverage	70° / 110°
Vertical coverage	Depends on cabinet count
Impedance	16 Ohm Low / 16 Ohm High
Nominal power ²	600 W Low / 100 W High
Connectors	2x Neutrik speakon
Dimensions (W×H×D)	608x243x422 mm
Net weight	22 kg
Shipping weight	25 kg
Mounting	Integrated mounting hardware
Enclosure material	Plywood, wear-resistant paint
Speaker protection	Steel grill, acoustically transparent backing

¹ - pink noise, filtered according to AES 2 - 2012, crest factor 12 dB
² - based on transducer power measured according to AES 2 - 2012

CONNECTIONS

Use Hi-pass filter to prevent speaker damage and distorted sound by eliminating low non-audible frequencies in input signal.

Do not exceed input power ratings mentioned in specifications while exploiting the speaker system.

Speaker system comes with two Neutrik® Speakon heavy duty sockets for easy connection.

Signal LF +	1 +
Signal LF -	1 -
Signal HF +	2 +
Signal HF -	2 -
Recommended amplifier power LF	600 - 1200 W on nominal impedance (per cabinet)
Recommended amplifier power HF	100 - 200 W on nominal impedance (per cabinet)

ACCESSORIES

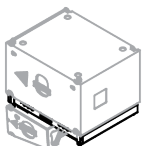


WSF-02
Versatile frame for WASP-8, WASP-S12, WASP-S15, WASP-S18



WASP-FC3
Flying case for 3 pcs of WASP-8

WASP-FC4
Flying case for 4 pcs of WASP-8



WSC-34
Transportation cart for 3 or 4 pcs of WASP-8

SAFETY INSTRUCTIONS

- Do not pour liquids on speaker system - this may cause driver cone destruction and unappealing speaker appearance. Do not allow direct sunlight on speaker cone in order to prevent premature failure. Do not install speaker system near open flames or heating elements.
- Do not use speaker system with damaged speakON or speaker cable so as not to cause electric shock hazard or fire hazard.
- Make sure speaker system is firmly set up on the floor, stage, or wall (where applicable).
- While setting speaker system up onto an angled or slippery surface, make the necessary arrangements to avoid vibration-induced movement.
- Speaker system is capable of delivering significant sound pressure levels. To avoid permanent or temporary hearing damage, prolonged exposure to sound pressure levels exceeding 90 dB should be limited.