

# S218

Passive  
subwoofer



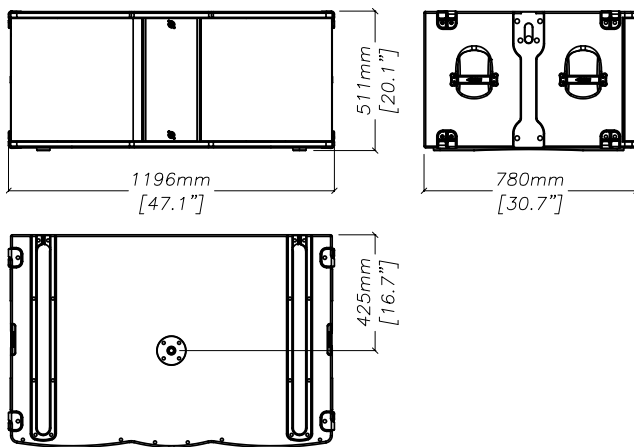
S218 is next generation touring subwoofer designed to bring the ultimate low-frequency reinforcement that is compact and easy to install.

The dual 18" vented box delivering an unparalleled 147 dB peak SPL is compatible with MAG Uni-Preset technology. This feature allows S218 to be seamlessly coupled with every MAG Audio speaker right out of the box.

The S218 was made with absolute touring and rental utility in mind: it can be flown as an array using integrated mounting hardware. For a ground installation, the convenient stacking rails allow for quick cabinet positioning while preventing accidental side movement. S 218 can even be stacked in a vertical position to minimize the occupied space, with side interlocking feet making the stack solid and easy to assemble.



## DIMENSIONS



## SPECIFICATIONS

Frequency response ( $\pm 3$ dB)	30 - 200 Hz
Frequency range (-10dB)	25 - 280 Hz
Max SPL <sup>1</sup>	147 dB
Sensitivity (1W/1m)	100 dB
LF Driver	2x18", 4" VC
Impedance	4 Ohm
Nominal power <sup>2</sup>	3000 W
Connectors	2x Speakon rear 2x Speakon front
Dimensions (W×H×D)	1196 x 511 x 780 mm 47,1" x 20,1" x 30,7"
Weight net / shipping	70 kg / 73 kg 154 lbs / 161 lbs
Mounting	M20 distance pole adapter Integrated array hardware
Enclosure material	Plywood, wear-resistant paint
Speaker protection	Steel grill, acoustically transparent backing

<sup>1</sup> - pink noise, filtered according to AES 2 - 2012, crest factor 12 dB  
<sup>2</sup> - based on transducer power measured according to AES 2 - 2012

## CONNECTIONS

Use Hi-pass filter to prevent speaker damage and distorted sound by eliminating low non-audible frequencies in input signal.

Do not exceed input power ratings mentioned in specifications while exploiting the speaker system.

Speaker system comes with two Neutrik® Speakon heavy duty sockets for easy connection.

Signal +	1 + rear, 2+ front
Signal -	1 - rear, 2- front
Signal through	2+ 2- rear, 1+ 1- front
HPF freq, no less than	25 Hz
HPF order, no less than	18 dB/oct
Recommended amplifier power	3000 - 6000 W on nominal impedance

## SAFETY INSTRUCTIONS

1. Do not pour liquids on speaker system - this may cause driver cone destruction and unappealing speaker appearance. Do not allow direct sunlight on speaker cone in order to prevent premature failure. Do not install speaker system near open flames or heating elements.

2. Do not use speaker system with damaged speakON or speaker cable so as not to cause electric shock hazard or fire hazard.

3. Make sure speaker system is firmly set up on the floor, stage, or wall (where applicable).

4. While setting speaker system up onto an angled or slippery surface, make the necessary arrangements to avoid vibration-induced movement.

5. Speaker system is capable of delivering significant sound pressure levels. To avoid permanent or temporary hearing damage, prolonged exposure to sound pressure levels exceeding 90 dB should be limited.