

FLY SUB 15

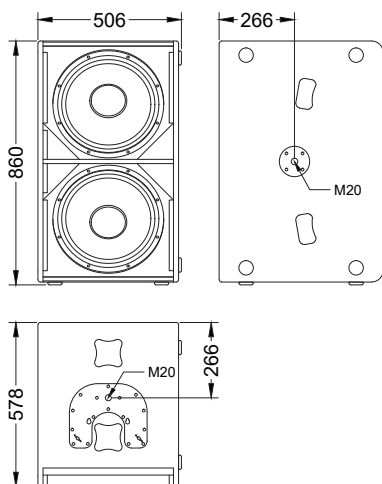
Powered subwoofer

Fly Sub 15 is a double 15" subwoofer for Fly 6 and Fly 6L line array, designed for low-end supports for the entire system.

With two high-excursion 15"woofers and built-in Powersoft modules, Fly Sub 15 delivers 137 dB of sound pressure, extending from 45 to 200 Hz. With thoroughly designed hardware, Fly Sub 15 can be easily set up, adjusting to any configuration required.



DIMENSIONS

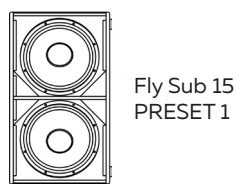


SPECIFICATIONS

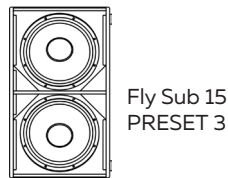
Frequency response (-10dB)	45 - 200 Hz
Max SPL (calculated)	137 dB
LF Transducer	2x 15", 4" VC
Amplifier power	2000 W
Amplifier	Class D, fan cooling, DSP
Input sensitivity	+4 dBV
Settings	4 switchable preset
Connectors	XLR in + XLR out, Powercon mains in, Powercon mains out
Dimensions (WxHxD)	506x860x578 mm
Net weight	59 kg
Shipping weight	63 kg
Mounting	Two M20 distance pole adapters; Fly array U-bracket adapter
Enclosure materials	Plywood; wear-resistant paint
Grill	Steel grill, acoustically transparent backing
Color	Black

PRESET USAGE REFERENCE

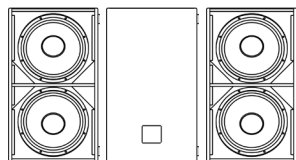
3-way system



4-way system

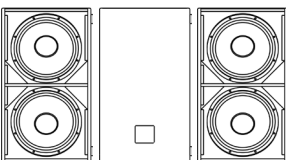


4-way cardioid system



Fly Sub 15 PRESET 3 Fly Sub 15 (inv) PRESET 4 Fly Sub 15 PRESET 3

3-way cardioid system



Fly Sub 15 PRESET 1 Fly Sub 15 (inv) PRESET 2 Fly Sub 15 PRESET 1

CONNECTIONS

FLY series powered systems are supplied with CN-0010 PowerCon-E/F CEE 7/7 mains cable (part number 00-00005561). Use only original or supplied by manufacturer mains cables!

FLY series powered systems are equipped with PowerCon B mains power outlets for mains link to additional FLY series powered system.

FLY series systems' nominal mains power specifications: AC 220V, 50/60 Hz.

Nominal voltage tolerance: 100 - 250 V.

FLY series systems are equipped with XLR INPUT an XLR LINK connectors for signal connection.

Use of balanced XLR connector cables is recommended. In case when balanced XLR connections are not available, unbalanced XLR connection is acceptable.

For linking the additional system to the same signal bus LINK connector may be used.

SAFETY INSTRUCTIONS

1. Do not pour liquids on speaker system - this may cause driver cone destruction and unappealing speaker appearance. Do not allow direct sunlight on speaker cone in order to prevent premature failure. Do not install speaker system near open flames or heating elements.

2. Do not use speaker system with damaged speakON or speaker cable so as not to cause electric shock hazard or fire hazard.

3. Make sure speaker system is firmly set up on the floor, stage, or wall (where applicable).

4. While setting speaker system up onto an angled or slippery surface, make the necessary arrangements to avoid vibration-induced movement.

5. Speaker system is capable of delivering significant sound pressure levels. To avoid permanent or temporary hearing damage, prolonged exposure to sound pressure levels exceeding 90 dB should be limited.